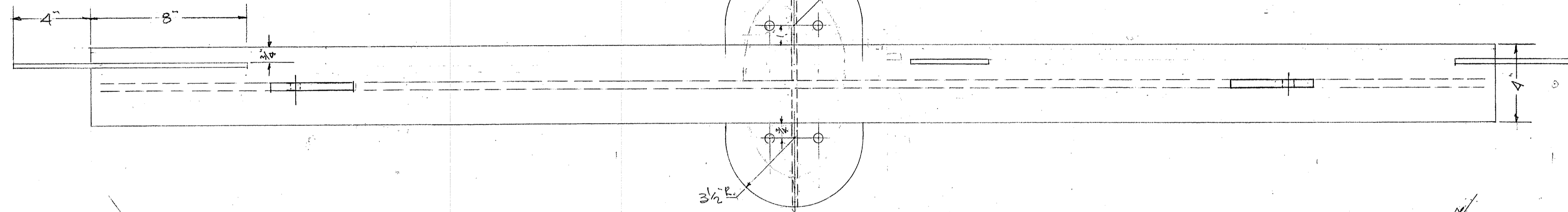
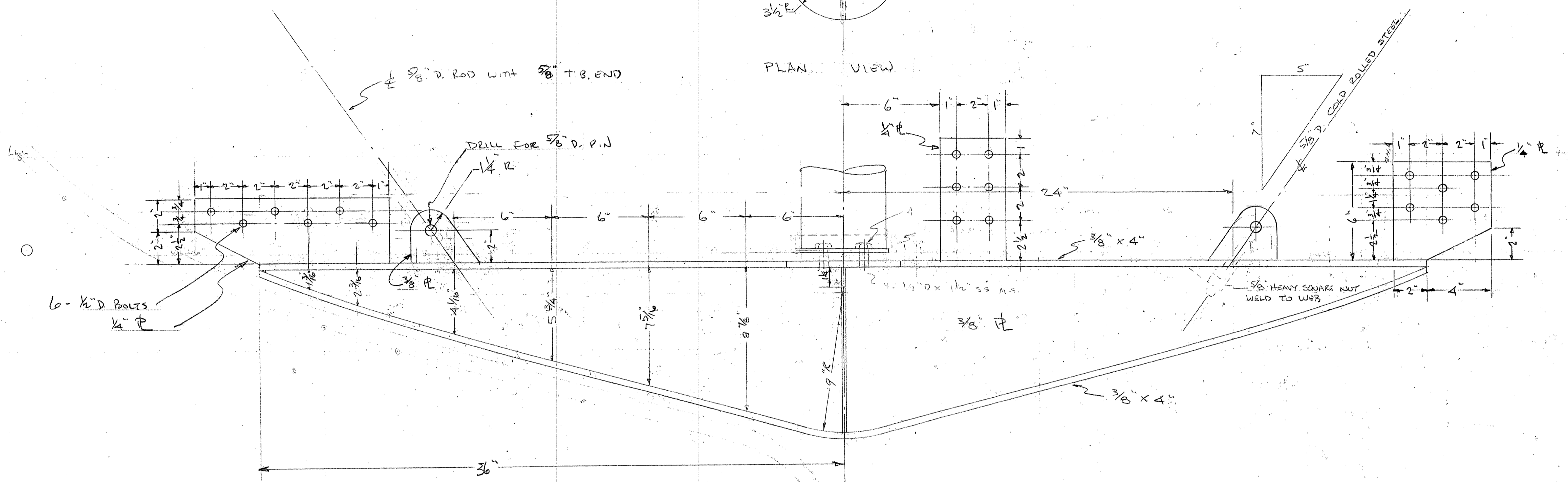


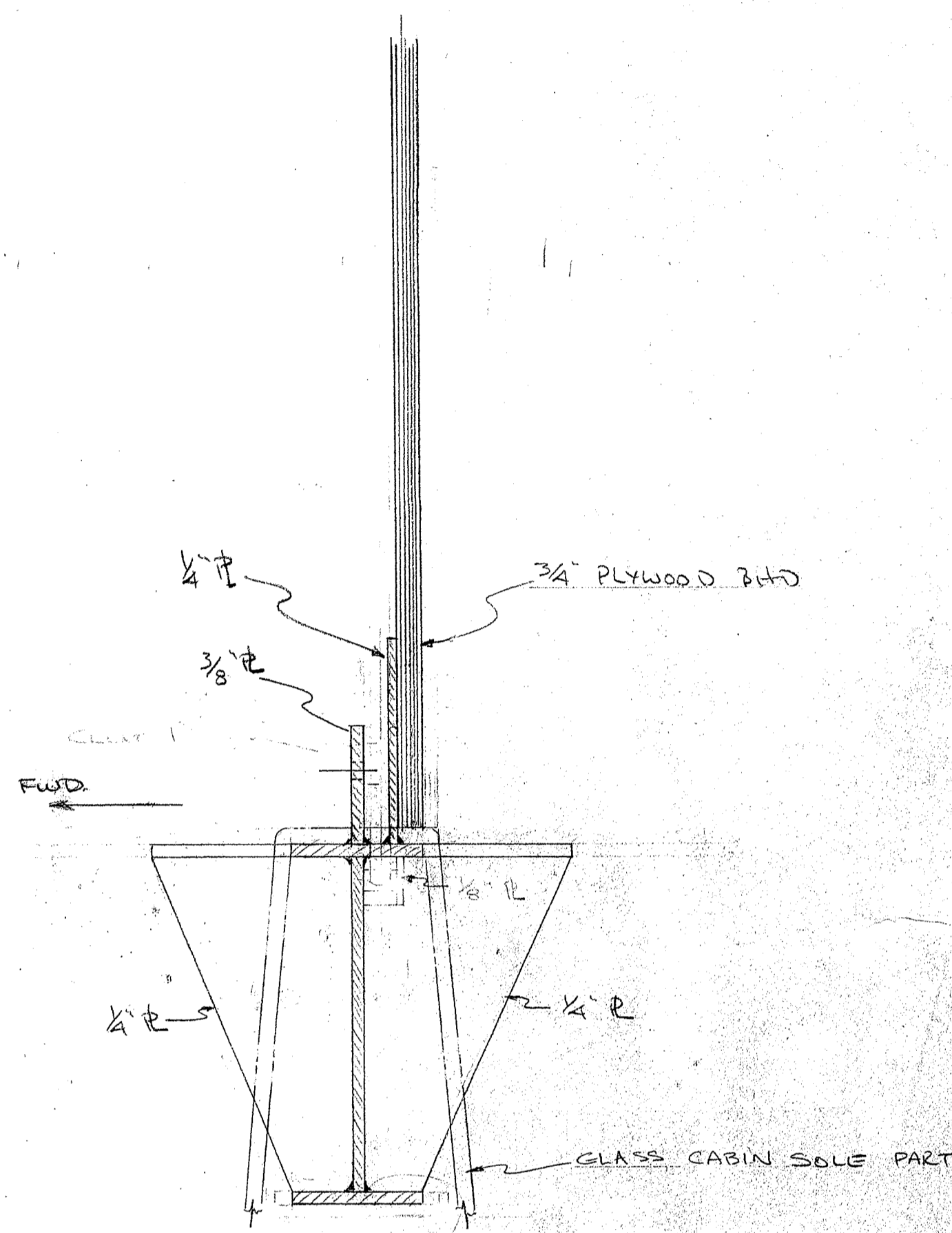
STA 4



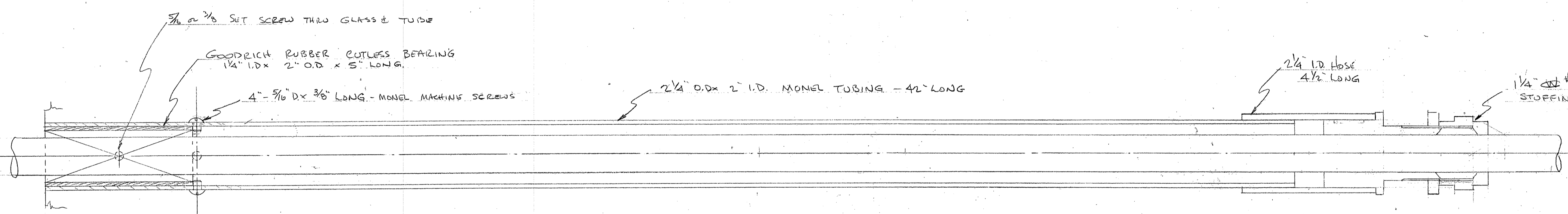
PLAN VIEW



MAST STEP ELEVATION LOOKING AFT 3" = 1 FOOT



FLWD



REVISION A 6 FEB 1964 CIL	
C. WILLIAM LAPWORTH NAVAL ARCHITECT 505 THIRTIETH NEWPORT BEACH	
CALIFORNIA 40	
MAST STEP STERN TUBE	
3" = 6" = 1 FOOT 26 MARCH 1963	204/B